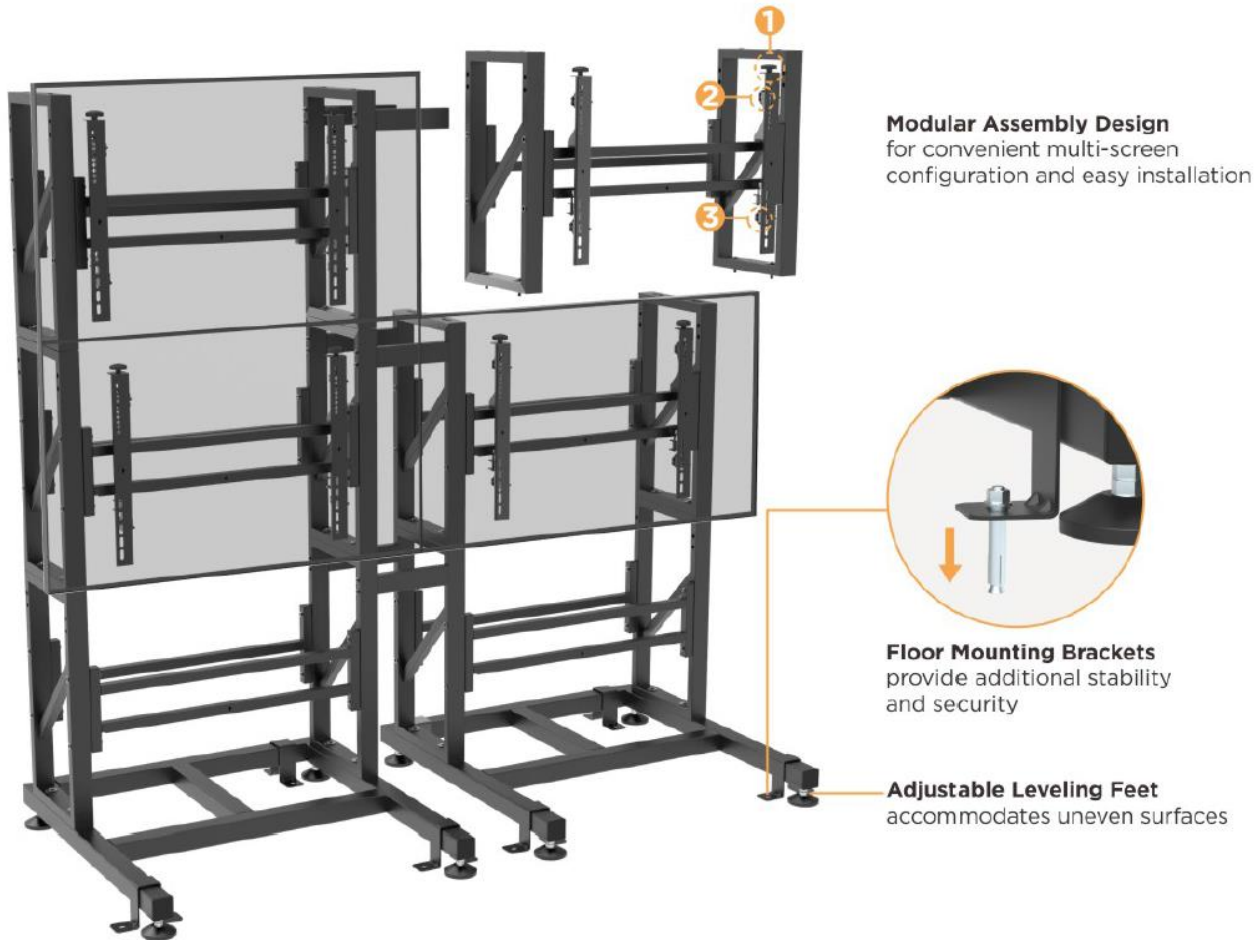


LUMI Introduces the Latest in Video Wall Solutions

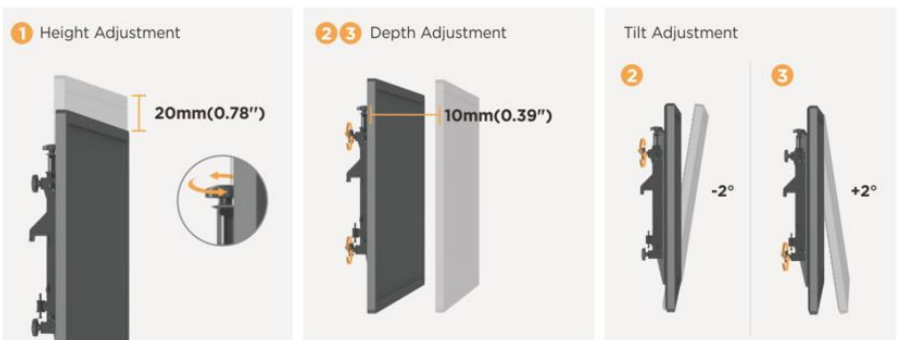
Modular Designs That Allow For Endless Possibilities

Every video wall and digital signage installation is different, requiring mounting products that can be quickly and affordably adapted to the application. Having these requirements is one thing, but the need for quality and solid hold also comes into play.

LUMI's LVS03 Series Modular Video Wall Mounts meet the goal of fitting nearly every video wall application with durability, performance and price.



Precise Display Alignment for seamless digital signage



This revolutionary modular design is comprised of interlocking bases and display mounts that work together to bring convenience and endless possibilities to the designer and installer.

2x2 Solution



LVS03-446FF

3x3 Solution



LVS03-946FF

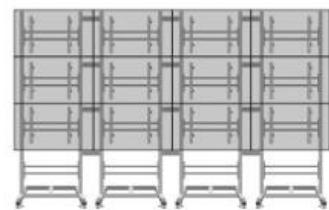
More Configurations



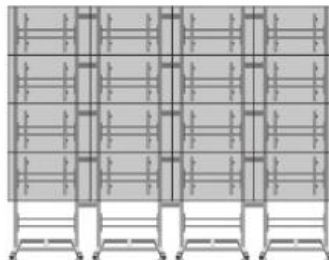
Modular Mount

Pedestal Base

Example:



3x4



4x4

.....

Easy to install and made of quality steel, the LVS03 Series fits displays from 46" to 55" with the ability to firmly hold up to 110lbs(50kg) per screen. Check out these new products and more at the LUMI ISE **1-E60 & 2-E60** booth today.

About LUMI

Located in the port city of Ningbo, China, LUMI has quickly grown to be China's #1 exporter of A/V Mounting Solution products. This growth has come by offering innovative, quality products that are competitively priced to offer the customer a recognizable superior value. LUMI provides every customer with exceptional, world-class tech support and customer service. Contact us for more info on OEM and custom branding opportunities.

Contact LUMI

Email: lumi@lumi.cn

Tel: 86-574-27956580

Website: www.lumi.cn