

Technical Specification

Ingress Protection: IP54 with horn
Sensitivity (1M): 1W/1m 112.0dB
Max Volume: 100W/1m/28.3V 132.2dB
Frequency Range: 500Hz-5000Hz
Voice Coil Diameter: 2.17in (55mm)
Magnet Material: Neodymium
Flux Density (Tesla): 1.50T
Voice Coil Former: Kapton
Diaphragm Material: Titanium+Polyimide
Nominal Impedance: 8 Ohm
***Power Capacity(AES):** 80WAES (RMS W)
***Power Capacity(Peak):** 100W
***Power Capacity(IEC):** N/A
Overall Diameter: 120mm
Depth: 71.5mm
Net Weight: 1.06kgs

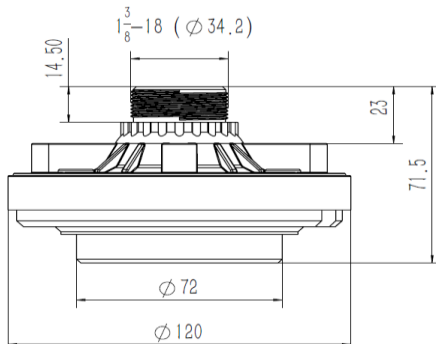
CS-55



Sensitivity Test Results

Signal type:	Sensitivity@ 100W/1M
PHSR	132.2 dB
AIR HORN	122.0 db
HI-LO	127.4 dB
YELP	126.7 dB
WAIL 1	129.5 dB
WAIL 2	125.0 dB

Enclosure



Frequency & Impedance Curve

