

Climate CLG-W10 Garden Subwoofer

## Monitor Audio Launches The CLG-W10 Outdoor Subwoofer

The new CLG-W10 subwoofer is designed to bring the bass outside. It can be partially buried in a garden border or positioned on a deck or patio area. The compact dimensions make it extremely versatile and provide the system designer with a variety of installation options. The CLG-W10 is the latest addition to Monitor Audio's Climate Garden System and is designed to augment the low frequencies when teamed with any of the outdoor speakers in the series.

Ingeniously designed for concealment in any garden landscape, the Climate Garden System takes Monitor Audio's award-winning hi-fi audio quality from home to garden, providing music lovers with the lifestyle experience of big, wide, detailed sound in the great outdoors.



Buried in ground configuration



Surface mounted configuration



Visible portion of product once buried



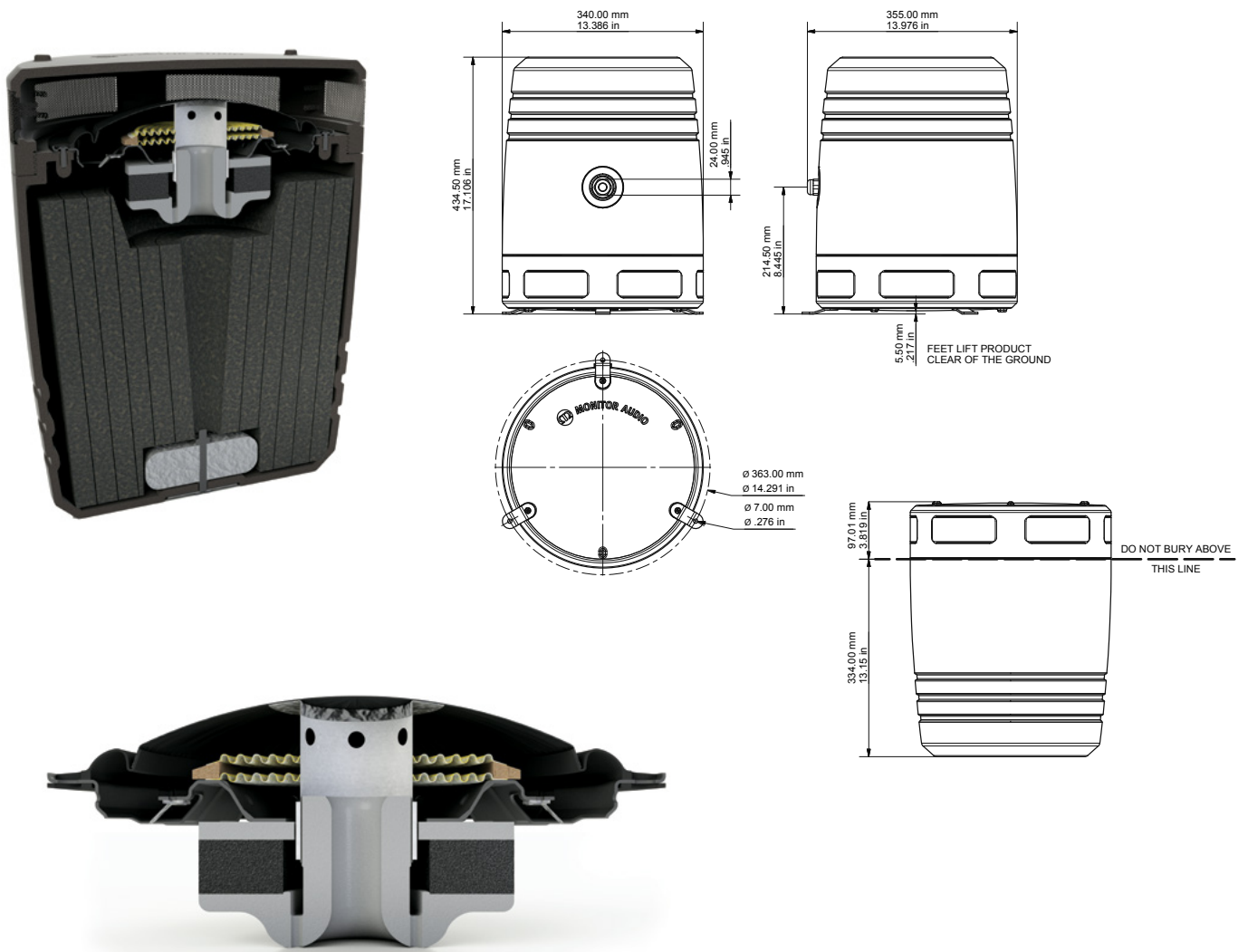
Surface mounted feet

## CLG-W10

The CLG-W10 is tough and durable in extreme outdoor conditions and is rated to IP54. The unique design and manufacturing process ensures no joints, making the subwoofer impervious to water. Its dark brown colour blends perfectly with landscape tones and, as it is not painted or coated, the surface will not chip or deteriorate over time.

The subwoofer features a bespoke Inverted Cone Driver that utilises a rigid dome diaphragm (formed from Monitor Audio's renowned C-CAM material) to deliver powerful, punchy bass. The inverted dome ensures any water that enters the mesh vents will drain away and, thanks to its ceramic coating, the C-CAM is impervious to moisture and tough environmental conditions. A dual spider inspired by Monitor Audio's flagship loudspeaker series ensures the driver stays in perfect alignment when under extreme loads.

All the speakers in the Climate Garden System deliver a luxurious blend of unobtrusive aesthetics and natural full-range audio to gardens of any size. A garden system can be comprised of up to sixteen CLG140 or CLG160 satellite speakers and up to three CLG-W10 or CLG-W12 subwoofers when using a IA800-2C amplifier in a 70/100 V line array. The set-up is expandable with additional satellite, subwoofer and amplifier sets according to garden area. The operating temperature range is from -20° to +70° C / -4° to +158° F.



## CLG-W10

### Key Features

- Versatile installation options – buried in ground or surface mounted
- Sealed cabinet design with punchy bass down to 35 Hz
- Specially designed 'ICD' (Inverted Cone Driver) 10" subwoofer, featuring C-CAM cone technology
- 70/100 V and 4 ohm tap for flexible system design – additional units can be added and 'daisy-chained'
- Rotationally moulded polymer cabinet – tough, robust, and waterproof.
- Certified to IP54 rating – reliability and peace of mind
- Dark brown finish – blends with landscape colour tones
- Applications – garden, deck, and patio in domestic and commercial installs

Note; The CLG-W10 does not feature an internal passive crossover and requires an amplifier with appropriate crossover features.

### Specifications

Model	CLG-W10
Frequency Response (-6 dB)	35 Hz – 150 Hz
Sensitivity (1 W@1m)	85 dB
Impedance (nominal)	4 Ohms or 70/100 V line level (cable select)
Maximum S.P.L (@1 M)	105 dB @100 Hz
Power Handling	150 W (IEC268-5)
Recommended crossover	Low pass filter at 100 – 200 Hz, 12 – 24 dB/Octave. (Dependant on speaker choice) High pass filter at 35 Hz, 12 – 24 dB/Octave (Highly recommended)
Amplifier Requirements	80 – 150 W R.M.S
Driver Complement	10" long throw 'ICD' subwoofer, featuring C-CAM cone technology
External Dimensions	Diameter 340 mm x High 434.5 mm / 13.3" x 17"
Connection	Encapsulated cable connection (3 wire)
Weight	11.9 kg / 26 lb 2 oz
Cabinet construction	Rotational moulded LDPE – Sealed cabinet
Environmental Protection Rating	IP54
Compliance	RoHS
Colour/Finish	Dark brown

- See detailed instructions for preparation and installation
- Installation should only be performed by a skilled tradesman in accordance with the correct fitting instructions

For more information email [info@monitoraudio.com](mailto:info@monitoraudio.com)

Additional technical details on Climate Garden System are available at [www.monitoraudio.com](http://www.monitoraudio.com)

Monitor Audio is a wholly British owned and managed loudspeaker designer and manufacturer. Since 1972 it has been at the leading edge of loudspeaker design and technology, perfecting the implementation of metal drivers. It is renowned for exemplary speaker cabinet construction and finish.

**Monitor Audio Ltd**

24 Brook Road,  
Rayleigh, Essex,  
SS6 7XJ England

T. + 44 (0)1268 740580

F. + 44 (0)1268 740589

E. [info@monitoraudio.com](mailto:info@monitoraudio.com)